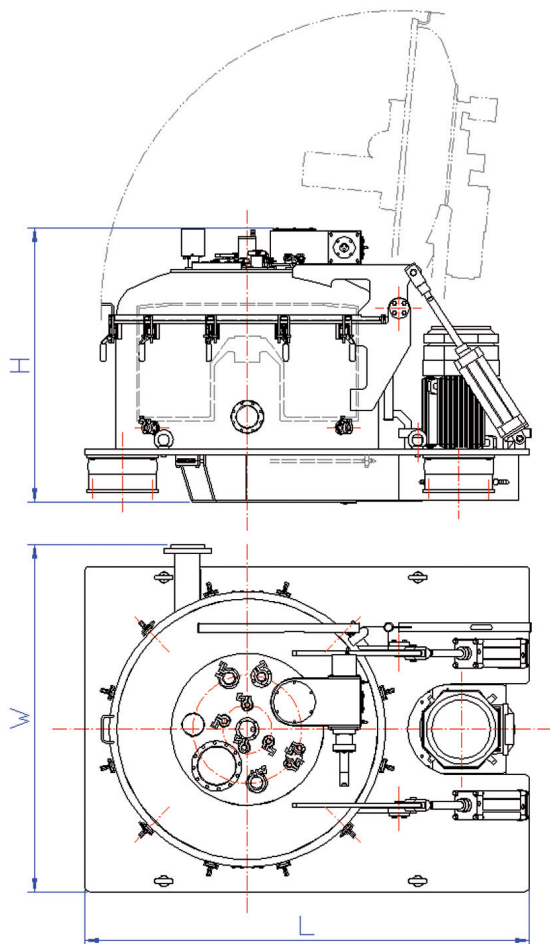




# Vertical Top discharge Centrifuge Type SCVT for pharmaceutical industry



Centrifuge type		SCVT 630/320	SCVT 800/400	SCVT 1000/500
Diameter of Basket	mm	630	800	1000
Height of Basket	mm	320	400	500
Opening diameter of Basket	mm	440	560	700
Filter surface of Basket	m <sup>2</sup>	0,633	1,005	1,571
Useful volume of Basket	m <sup>3</sup>	0,051	0,103	0,200
Max. load of Basket	kg	64	128	250
Max. revolution of Basket	rpm	1900	1500	1200
Centrifugal Acceleration	xg	1271	1006	805
Max. unbalance weight at revolution	kg / rpm	1,5 / 1250	3,0 / 1000	5,0 / 800
Drive power	kW	7,5	11	22
External dimensions H x W x L	m	850+x1100x1350	1050+x1300x1650	1250+x1600x2100
Weight of empty centrifuge	kp	650+	1000+	2000+